

# KSR 3 SERIES

## KSR-304N

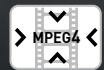
World's Best Company in Digital Video Recording  
Kodicom provides high quality display pictures with outstanding recording speed.



### Main Functions



**REAL TIME MONITORING**  
Simultaneous live images



**COMPACT PICTURE STORAGE**  
Images are compressed to an average file size between 2-10Kb per picture using MPEG4 Algorithm



**EASY PICTURE RETRIEVAL**  
Instant picture retrieval by date /time and camera number



**EVENT CONTROLLED RECORDING**  
Reduces the amount of data and automatically records specific events



**PICTURE TRANSMISSION OVER NETWORK**  
High quality picture transmission over PSTN, ISDN & LAN network

Digital Video Recorder(Non-PC based)

**KSR-304N** Hot

### Front/ Rear View

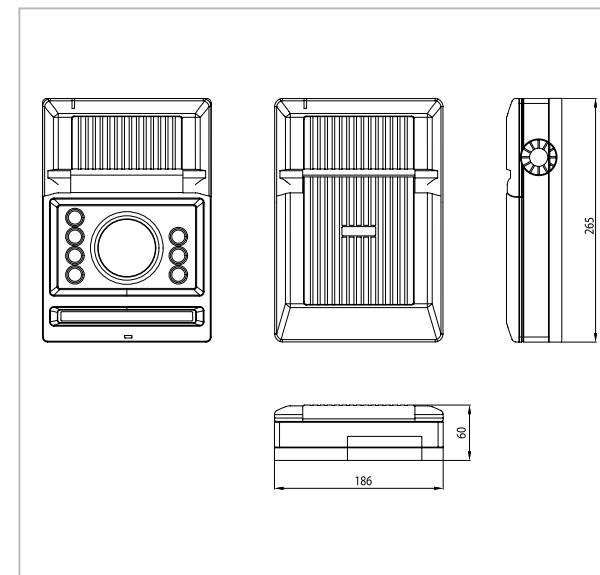
Front



Rear



### External Specification



### Functions by Screen



WATCH SCREEN

PTZ SCREEN

SEARCH SCREEN

### Application

Some recommended installation areas are Securities Companies, Change Booths, Casinos, Pawnshops, Jewelers, Galleries, Exhibition Halls, Department Stores, Convenience Stores, Discount Offices, Hospital, Police Stations, Subway Stations, Airports, Banks etc.

### Features

- High Quality Realtime Display – Max. 120fps(NTSC) 100fps(PAL)
- High Quality and High Speed Recording – Max. 120fps(NTSC) 100(PAL)
- Various Resolutions on Display and Recording – 704×480, 704×240, 352×240(NTSC), 704×576, 704×288, 352×288(PAL)
- MPEG4 compression
- 1, 4 Division
- Kodicom, Pelco, Dennard, Bosch, Samsung and many more PTZ protocol included
- Watermark Function
- Remote Observation Through Network
- Emergency Screen Auto Transfer to Center Software
- User friendly Graphic User Interface
- Watchdog Function

### Specifications

Model		KSR-304N
Display	Speed	NTSC : 120fps PAL : 100fps
	Screen Division	1, 4 Division
Recording	Max. Speed (@CIF)	NTSC : 120fps PAL : 100fps
	Resolution	NTSC : 704×480, 704×240, 352×240 PAL : 704×576, 704×288, 352×288
	Recording Option	Continuous, Motion, Sensor, Pre-Alarm
Video	Format	NTSC/PAL
	CODEC	MPEG4
	Input	4 Ports
Audio	Output	7" Wide LCD (800×480), CVBS 1 Port (Quad)
	Input	1ch (line input)
	Output	1ch
Alarm	CODEC	ADPCM
	Input	2 Ports
Network	Output	2 Ports
	Transmission	Ethernet (RJ45), PSTN (optional)
Backup	Protocol	TCP/IP (support dynamic IP)
	Device	USB, Network
Other Function	Remote Control	Remote Software (CMS)
	Remote Alarm	E-mail, CMS report
	PTZ	RS232C/485
	Watch Dog Function	Yes
	Image Authentication	Watermark
	Language	10 Languages
	Password	Multi-Level User Password Authorization
	USB	1 Port (USB2.0)
Working Temperature	0°C ~ +40°C	
Power Source	DC 12V, 50/60Hz (Adaptor included)	
Dimensions	186mm(W) × 60mm(H) × 265mm(D)	
Weight (net)	1.5Kg (5.94lbs)	

\*Specifications subject to change without notice.